



OPERATOR'S MANUAL

A Division of Snow Joe®, LLC

CORDLESS POLE HEDGE TRIMMER

20 VOLT MAX* | RECHARGEABLE | 17-INCH

Model 20ViONLTE-PHT17-RM

Form No. SJ-20ViONLTE-PHT17-RM-880E-M-V1

THANKS FOR YOUR PURCHASE OF A REMANUFACTURED PRODUCT.

To make sure you get the most out of your product, be sure to register online at

sunjoe.com

to enjoy full product support.

PASTE UPC LABEL HERE



OPERATOR'S MANUAL

A Division of Snow Joe®, LLC

CORDLESS POLE HEDGE TRIMMER

20 VOLT MAX* | RECHARGEABLE | 17-INCH

Model 20ViONLTE-PHT17-RM

Form No. SJ-20ViONLTE-PHT17-RM-880E-M-V1


IMPORTANT! Safety Instructions


All Operators Must Read These Instructions Before Use


Always follow these safety guidelines. Failure to do so may result in serious bodily injury or death.

General Safety WARNINGS!

You and any other operator of this pole hedge trimmer must read, understand, and follow these instructions in their entirety. Failure to follow these instructions may result in **ELECTRIC SHOCK, FIRE, and/or serious PERSONAL INJURY.**

Notice the personal safety alert symbol  used in this manual to draw your attention to a **WARNING** given along with the particular operating instruction. This means that the operation requires special **ATTENTION, CAUTION, and AWARENESS.**

 **WARNING!** This unit can be dangerous! Careless or improper use can cause serious injury.


 **WARNING!** The moving blades can cut you. Keep hands and feet away from the blades and the cutting area.

Before using the pole hedge trimmer, familiarize yourself with the controls, especially how to stop the pole hedge trimmer in an emergency. The only individuals who should use the pole hedge trimmer are those who thoroughly understand these instructions and know how to properly operate the unit. Children should never be allowed access to the pole hedge trimmer.

Retain this manual for future reference and reread it at the start of each trimming season.

1. **Keep work area clean and well-lit** – Cluttered, dark areas invite accidents.
2. **Replacement parts** – When servicing this unit, use only identical replacement parts.
3. **Keep children, bystanders, and pets away** – All spectators, including pets, should be kept a safe distance away from the work area.
4. **Know your product** – Know how to start and stop the machine. Be thoroughly familiar with the controls.

5. **Use the right tool** – Do not use this machine for any job except that for which it was intended.
6. **Avoid accidental starting** – Do not carry the pole hedge trimmer with your finger on the switch. Make sure the switch is off before inserting the battery.

 **CAUTION!** Moving parts will continue to run for several seconds after turning off the machine.

7. **Moving parts** – Keep hands and feet away from moving parts. Keep guards in place and in proper working order.
8. **Do not force the tool** – It will perform better with less likelihood of personal or mechanical injury if it is used at the rate for which it was designed.
9. **Do not overreach** – Keep proper footing and balance at all times.
10. **Use safety glasses** – Also use safety footwear, snug-fitting clothing, protective gloves, hearing, and head protection.
11. **Remove the battery** – Remove the battery when it is not in use, before servicing it, when changing accessories, and when performing any other maintenance task.
12. **Store idle tool indoors** – When not in use, the pole hedge trimmer should be stored indoors in a dry and high or locked-up place out of the reach of children.
13. **Maintain the pole hedge trimmer with care** – Keep the cutting edges sharp and clean for optimal performance and to reduce the risk of injury. Keep the handles dry, clean, and free from oil and grease. Follow the additional recommendations described in the maintenance section of this manual.
14. **Avoid dangerous environments** – Do not use the pole hedge trimmer in rain or in damp or wet locations. Do not operate the pole hedge trimmer in gaseous or explosive atmospheres or use the pole hedge trimmer near flammable or combustible liquids. Motors in these tools normally spark, and the sparks might ignite fumes.
15. **Stay alert** – Watch what you are doing. Use common sense. Do not operate the pole hedge trimmer when you are tired or under the influence of drugs, alcohol, or other medication.
16. **Check for damaged parts** – Before further use of the appliance, a guard or other part that is damaged should be carefully checked to determine that it will operate properly and perform its intended function. Check for alignment of moving parts, binding of moving parts, breakage of parts, mounting, and any other condition that may affect its operation. A guard or other part that is damaged should be properly repaired or replaced.

Contact the Snow Joe® + Sun Joe® customer service center at 1-866-SNOWJOE (1-866-766-9563) for assistance.

Additional Safety Rules for Pole Hedge Trimmer

1. Remove any adjusting key or wrench before turning the power tool on. A wrench or key left attached to the rotating part of the power tool may result in personal injury.
2. If devices or facilities are available for the extraction and collection of dust, ensure these are connected or properly used. Use of these devices can reduce dust related hazards.
3. Remove any blade that has been damaged. Always make sure that the blade is installed correctly and securely fastened before each use. Failure to do so can cause serious injury.
4. Hold the pole hedge trimmer by insulated gripping surfaces only, because the cutter blade may contact hidden wiring. Cutter blades contacting a "live" wire may electrify exposed metal parts of the power tool and could give the operator an electric shock.
5. Maintain a firm grip on both handles while cutting with the blade. Keep the blade away from body.
6. Hold pole hedge trimmer properly, e.g., with both hands if two handles are provided. Loss of control can cause personal injury.
7. Check the hedge for foreign objects before operation, e.g., center fences. Take care that the cutting device does not come in contact with wire or other metal objects.
8. Service on the product must be performed by qualified repair personnel only. Service or maintenance performed by unqualified personnel could result in injury to the user or damage to the product.
9. Keep all parts of the body away from the cutting blade. Do not remove cut material or hold material to be cut when blades are moving. Make sure the switch is off and the battery is removed when clearing jammed material. A moment of inattention while operating the pole hedge trimmer may result in serious personal injury.
10. Carry the pole hedge trimmer by the handle with the cutting blade stopped. When transporting or storing the pole hedge trimmer always keep the blade covered. Proper handling of the pole hedge trimmer will reduce possible personal injury from the cutter blades.
11. Do not use the pole hedge trimmer if the switch does not turn it on and off. Any power tool that cannot be controlled with the switch is dangerous and must be repaired.
12. Use the pole hedge trimmer and accessories in accordance with these instructions, taking into account the working conditions and the work to be performed. Use of the power tool for operations different from intended use could lead to a hazardous situation.

Training

1. Read the instructions carefully. Be familiar with the controls and the proper use of the product.
2. Never allow people unfamiliar with these instructions or children to use the product. Local regulations can restrict the age of the operator.
3. Keep in mind that the operator or user is responsible for accidents or hazards occurring to other people or their property.

Preparation

1. This product can cause serious injuries. Read the instructions carefully for the correct handling, preparation, maintenance, starting and stopping of the product. Become familiar with all controls and the proper use of the product.
2. Never allow children to use the pole hedge trimmer.
3. Beware of overhead power lines.
4. Never operate the product while people, especially children, or pets are nearby.
5. Dress properly. Do not wear loose clothing or jewellery, which can be caught in moving parts. Use of sturdy gloves, non-skid footwear and safety glasses is recommended.
6. Wear eye protection and stout shoes at all times while operating the product.
7. If the cutting attachment strikes any foreign object or the product starts making any unusual noise or vibration, switch the product off, remove the battery, allow the product to stop and take the following steps:
 - inspect for damage;
 - check for, and tighten, any loose parts;
 - have any damaged parts replaced or repaired with parts having equivalent specifications.

Operation

1. Use the product only in daylight or good artificial light.
2. Never operate the product with damaged guards or shields or without guards or shields in place.
3. Keep hands and feet away from the cutting device at all times and especially when switching on the motor.
4. Before using the product and after any impact, check for signs of wear or damage and repair as necessary.
5. Always remove the battery
 - whenever leaving the product unattended;
 - adjusting the working position of the cutting device;
 - before clearing a blockage;
 - before checking, cleaning or working on the product;
 - after striking a foreign object;
 - whenever the product starts vibrating abnormally.

6. Ensure that the pole hedge trimmer is correctly located in a designated working position before starting the motor.
7. While operating the pole hedge trimmer, always ensure that the operating position is safe and secure, especially when using steps or a ladder.
8. Do not operate the pole hedge trimmer with a damaged or excessively worn cutting device.
9. Always ensure that all handles and guards are fitted when using the pole hedge trimmer. Never attempt to use an incomplete pole hedge trimmer or one fitted with an unauthorized modification.
10. Always use two hands to operate a pole hedge trimmer fitted with two handles.
11. Always be aware of your surroundings and stays alert for possible hazards of which you may not be aware due to the noise of the product.
12. Take care against injury to feet and hands from the cutting device.
13. Always ensure that the air vents are kept clear of debris.
14. Wear slip-resistant foot protection and protective clothing when using this product.
15. Always keep proper footing and operate the product only when standing on a fixed, secure and level surface. Change working positions regularly to avoid tiredness and ensure a comfortable working position at all times.
16. Never use replacement parts or accessories not provided or recommended by the manufacturer.
17. The use of this product may be restricted by regional or local regulations.

Vibration + Noise Reduction

To reduce the impact of noise and vibration emission, limit the time of operation, use low-vibration and low-noise operating modes as well as wear personal protective equipment.

Take the following points into account to minimise the vibration and noise exposure risks.

1. Only use the product as intended by its design and these instructions.
2. Ensure that the product is in good condition and well maintained.
3. Use correct attachments for the product and ensure they are in good condition.
4. Keep tight grip on the handles/grip surface.
5. Maintain this product in accordance with these instructions and keep it well lubricated (where appropriate).
6. Plan your work schedule to spread any high vibration tool use across a longer period of time.

Emergency

Familiarize yourself with the use of this product by means of this instruction manual. Memorize the safety directions and follow them to the letter. This will help to prevent risks and hazards.

1. Always be alert when using this product, so that you can recognize and handle risks early. Fast intervention can prevent serious injury and damage to property.
2. Switch off and remove the battery if there are malfunctions. Have the product checked by a qualified professional and repaired, if necessary, before you operate it again.

Residual Risks

Even if you are operating this product in accordance with all the safety requirements, potential risks of injury and damage remain. The following dangers can arise in connection with the structure and design of this product:

1. Health defects resulting from vibration emission if the product is being used over long periods of time or not adequately handled and properly maintained.
2. Injuries and damage to property due to broken cutting attachments or the sudden impact of hidden objects during use.
3. Danger of injury and property damage caused by flying objects.

⚠️ WARNING! This product produces an electromagnetic field during operation. This field may under some circumstances interfere with active or passive medical implants! To reduce the risk of serious or fatal injury, we recommend persons with medical implants to consult their doctor and the medical implant manufacturer before operating this product.

Battery & Charger Safety Instructions

We pay a great deal of attention to the design of every battery pack to ensure that we supply you with batteries that are safe, durable and have a high energy density. The battery cells have a wide range of safety devices. Each individual cell is initially formatted and its electrical characteristic curves are recorded. This data is then used exclusively to be able to assemble the best possible battery packs.

Despite all the safety precautions, caution must always be exercised when handling batteries. The following points must be obeyed at all times to ensure safe use. Safe use can only be guaranteed if undamaged cells are used. Incorrect handling of the battery pack can cause cell damage.

IMPORTANT! Analyses confirm that incorrect use and poor care of high-performance batteries are the main factors responsible for personal and/or product damage.

⚠️ WARNING! Use only approved replacement batteries; other batteries may damage the pole hedge trimmer and cause it to malfunction, which can lead to serious personal injury.

⚠️ CAUTION! To reduce the risk of injury, charge the EcoSharp® LITE iBAT20-LTE lithium-ion battery pack only in its designated lithium-ion charger, the iCHRG20. Other types of chargers present risk of fire, personal injury and damage. Do not wire a battery pack to a power supply plug or car cigarette lighter. Such misuse will permanently disable or damage the battery pack.

- **Avoid dangerous environments** – Do not charge the battery pack in rain, snow or in damp or wet locations. Do not use the battery pack or charger in the presence of explosive atmospheres (gaseous fumes, dust or flammable materials) because sparks may be generated when inserting or removing the battery pack, which could lead to a fire.
- **Charge in a well-ventilated area** – Do not block the charger vents. Keep them clear to allow for proper ventilation. Do not allow smoking or open flames near a charging battery pack. Vented gases may explode.

NOTE: The safe temperature range for the battery is 32°F (0°C) to 113°F (45°C). Do not charge the battery outside in freezing weather; charge it at room temperature.

- **Maintain charger cord** – When unplugging the charger, pull the plug, not the cord, from the receptacle to reduce the risk of damage to the electrical plug and cord. Never carry the charger by its cord or yank it by the cord to disconnect it from the receptacle. Keep the cord away from heat, oil and sharp edges. Make sure the cord will not be stepped on, tripped over or subjected to damage or stress when the charger is in use. Do not use the charger with a damaged cord or plug. Replace a damaged charger immediately.

- **Do not use an extension cord unless it is absolutely necessary** – Using the wrong, damaged or improperly wired extension cord poses a risk of fire and electric shock. If an extension cord must be used, plug the charger into a properly wired 16 gauge or larger extension cord with the female plug matching the male plug on the charger. Make sure that the extension cord is in good electrical condition.
- **Charger iCHRG20 is rated for 120 volt AC only** – The charger must be plugged into an appropriate receptacle.
- **Use only recommended attachments** – Use of an attachment not recommended or sold by the battery charger or battery pack manufacturer may result in risk of fire, electric shock or personal injury.
- **Unplug charger when not in use** – Make sure to remove battery packs from unplugged chargers.

⚠️ WARNING! To reduce the risk of electric shock, always unplug the charger before performing any cleaning or maintenance. Do not allow water to flow into the charger. Use a Ground Fault Circuit Interrupter (GFCI) to reduce shock hazards.

- **Do not burn or incinerate battery packs** – Battery packs may explode, causing personal injury or damage. Toxic fumes and materials are created when battery packs are burned.
- **Do not crush, drop or damage battery packs** – Do not use the battery pack or charger if they have sustained a sharp blow, been dropped, run over or have been damaged in any way (i.e. pierced with a nail, hit with a hammer, stepped on, etc.).
- **Do not disassemble** – Incorrect reassembly may pose a serious risk of electric shock, fire or exposure to toxic battery chemicals. If the battery or charger are damaged, please contact an authorized Snow Joe® + Sun Joe® dealer or call the Snow Joe® + Sun Joe® customer service center at 1-866-SNOWJOE (1-866-766-9563).
- **Battery chemicals cause serious burns** – Never let a damaged battery pack contact the skin, eyes or mouth. If a damaged battery pack leaks battery chemicals, use rubber or neoprene gloves to safely dispose of it. If skin is exposed to battery fluids, wash the affected area with soap and water and rinse with vinegar. If eyes are exposed to battery chemicals, immediately flush with water for 20 minutes and seek medical attention. Remove and dispose of contaminated clothing.
- **Do not short circuit** – A battery pack will short circuit if a metal object makes a connection between the positive and negative contacts on the battery pack. Do not place a battery pack near anything that may cause a short circuit, such as paper clips, coins, keys, screws, nails and other metallic objects. A short-circuited battery pack poses a risk of fire and severe personal injury.

- **Store your battery pack and charger in a cool, dry place** – Do not store the battery pack or charger where temperatures may exceed 104°F (40°C), such as in direct sunlight or inside a vehicle or metal building during the summer.

Information about the battery

1. The battery pack supplied with your cordless pole hedge trimmer is only partially charged. The battery pack has to be charged completely before you use the tool for the first time.
2. For optimum battery performance, avoid low discharge cycles by charging the battery pack frequently.
3. Store the battery pack in a cool place, ideally at 77°F (25°C) and charged to at least 40%.
4. Lithium-ion batteries are subject to a natural aging process. The battery pack must be replaced at the latest when its capacity falls to just 80% of its capacity when new. Weakened cells in an aged battery pack are no longer capable of meeting the high power requirements needed for the proper operation of your hedge trimmer, and therefore pose a safety risk.
5. Do not throw battery packs into an open fire as this poses a risk of explosion.
6. Do not ignite the battery pack or expose it to fire.
7. Do not exhaustively discharge batteries. Exhaustive discharge will damage the battery cells. The most common cause of exhaustive discharge is lengthy storage or non-use of partially discharged batteries. Stop working as soon as the performance of the battery falls noticeably or the electronic protection system triggers. Place the battery pack in storage only after it has been fully charged.
8. Protect batteries and the tool from overloads. Overloads will quickly result in overheating and cell damage inside the battery housing even if this overheating is not apparent externally.
9. Avoid damage and shocks. Immediately replace batteries that have been dropped from a height of more than one meter or those that have been exposed to violent shocks, even if the housing of the battery pack appears to be undamaged. The battery cells inside the battery may have suffered serious damage. In such instances, please read the waste disposal information for proper battery disposal.
10. If the battery pack suffers overloading and overheating, the integrated protective cutoff will switch off the equipment for safety reasons.
IMPORTANT! Do not press the ON/OFF switch any more if the protective cut-off has been activated. This may damage the battery pack.
11. Use only original battery packs. The use of other batteries poses a fire risk and may result in injuries or an explosion.

Information about the charger and the charging process










1. Please check the data marked on the rating plate of the battery charger. Be sure to connect the battery charger to a power supply with the voltage marked on the rating plate. Never connect it to a different mains voltage.
2. Protect the battery charger and its cord from damage. Keep the charger and its cord away from heat, oil and sharp edges. Have damaged cords repaired without delay by a qualified technician at an authorized Snow Joe® + Sun Joe® dealer or call the Snow Joe® + Sun Joe® customer service center at 1-866-SNOWJOE (1-866-766-9563).
3. Electrical plugs must match the outlet. Never modify the plug in any way. Do not use any adapter plugs with grounded appliances. Unmodified plugs and matching outlets will reduce the risk of electric shock.
4. Keep the battery charger, battery pack(s) and the cordless tool out of the reach of children.
5. Do not use the supplied battery charger to charge other cordless tools.
6. During periods of heavy use, the battery pack will become warm. Allow the battery pack to cool to room temperature before inserting it into the charger to recharge.
7. Do not overcharge batteries. Do not exceed the maximum charging times. These charging times only apply to discharged batteries. Frequent insertion of a charged or partially charged battery pack will result in overcharging and cell damage. Do not leave batteries in the charger for days on end.
8. Never use or charge batteries if you suspect that it has been more than 12 months since the last time they were charged. There is a high probability that the battery pack has already suffered dangerous damage (exhaustive discharge).
9. Charging batteries at a temperature below 50°F (10°C) will cause chemical damage to the cells and may cause a fire.
10. Do not use batteries that have been exposed to heat during the charging process, as the battery cells may have suffered dangerous damage.
11. Do not use batteries that have suffered curvature or deformation during the charging process or those that exhibit other atypical symptoms (gassing, hissing, cracking, etc.)
12. Never fully discharge the battery pack (maximum recommended depth of discharge is 80%). A complete discharge of the battery pack will lead to premature aging of the battery cells.

Protection from environmental influences

1. Wear suitable work clothes. Wear safety goggles.
2. Protect your cordless tool and the battery charger from moisture and rain. Moisture and rain can cause dangerous cell damage.
3. Do not use the cordless tool or the battery charger near vapors and flammable liquids.
4. Use the battery charger and cordless tools only in dry conditions and at an ambient temperature of 50°F – 104°F (10°C – 40°C).
5. Do not keep the battery charger in places where the temperature is liable to reach over 104°F (40°C). In particular, do not leave the battery charger in a car that is parked in the sunshine.
6. Protect batteries from overheating. Overloads, overcharging and exposure to direct sunlight will result in overheating and cell damage. Never charge or work with batteries that have been overheated – replace them immediately, if possible.
7. Store the charger and your cordless tool only in dry locations with an ambient temperature of 50°F – 104°F (10°C – 40°C). Store your lithium-ion battery pack in a cool, dry place at a temperature of 50°F – 68°F (10°C – 20°C). Protect the battery pack, charger and cordless tool from humidity and direct sunlight. Only place fully charged batteries in storage (charged to at least 40%).
8. Prevent the lithium-ion battery pack from freezing. Battery packs that were stored below 32°F (0°C) for more than 60 minutes must be discarded.
9. When handling batteries, be wary of electrostatic charge. Electrostatic discharges can damage the electronic protection system and the battery cells. Avoid electrostatic charging and never touch the battery poles.

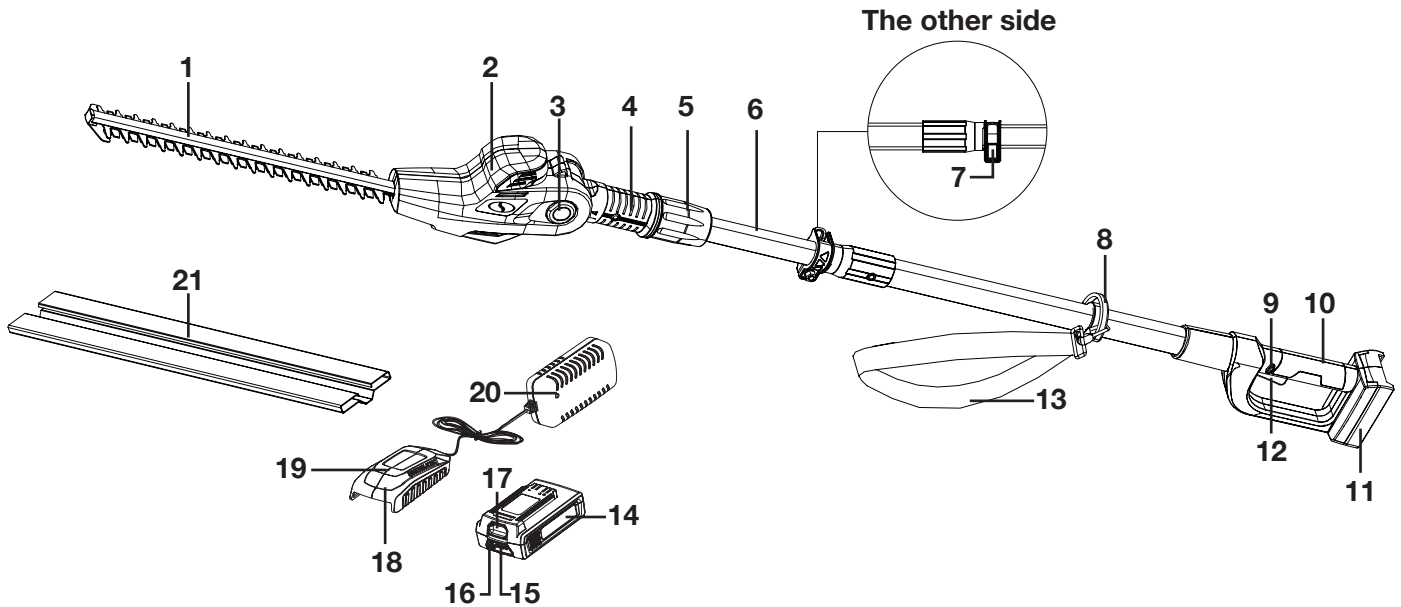
Safety Symbols

The following table depicts and describes safety symbols that may appear on this product. Read, understand, and follow all instructions on the machine before attempting to assemble and operate.

Symbols	Descriptions	Symbols	Descriptions
	READ THE OPERATOR'S MANUAL(S) – Read, understand, and follow all instructions in the user manual(s) before attempting to assemble and operate.		SAFETY ALERT – Indicates a precaution, a warning, or a danger.
	WARNING! Do not expose the unit to rain or wet conditions.		WEAR EYE AND HEARING PROTECTION – For protection against injury, wear ear defenders and safety goggles.
	Wear protective gloves and non-slip footwear when using the machine and handling debris.		DANGER! ROTATING BLADES – Keep hands and feet away from openings while the trimmer is running.
	Keep bystanders a safe distance away from the work area.		WARNING! SHOCK HAZARD – Keep at least 33 ft (10 m) away from power lines. Do not overreach. Keep proper footing and balance at all times.
	Indoor use only. Only use battery charger indoors.		

Know Your Cordless Telescoping Pole Hedge Trimmer

Read the owner's manual and safety instructions carefully before operating the cordless pole hedge trimmer. Compare the illustration below to the cordless pole hedge trimmer in order to become familiar with the location of the various controls and adjustments. Save this manual for future reference.



- | | | |
|---------------------|---|---|
| 1. Cutting blade | 8. Bracket | 15. Battery charge level indicator |
| 2. Trimmer head | 9. Safety lock button | 16. Push button for battery indicator |
| 3. Pivot button | 10. Handle grip | 17. Push lock button |
| 4. Locking base | 11. Battery compartment | 18. EcoSharp® lithium-ion charger (iCHRG20) |
| 5. Locking knob | 12. On/Off switch | 19. Charger base indicator |
| 6. Telescoping pole | 13. Shoulder strap | 20. Charger plug indicator |
| 7. Cam-lock | 14. Lithium-ion LITE battery (iBAT20-LTE) | 21. Blade cover |

Technical Data

Battery Voltage*	20 V D.C.	Blade Length	17 in. (43.2 cm)
Battery Capacity	2.0 Ah	Cutting Diameter Max	0.6 in. (1.6 cm)
Charging Time	70 min (for full charge)	Telescoping Pole	6 ft to 7.9 ft (1.8 m to 2.4 m)
Battery Run Time Max.....	45 min	Overhead Reach.....	14 ft (4.3 m)
No Load Speed	1200 ± 10% rpm	Weight (pole hedge trimmer)	7.2 lbs (3.3 kg)
Blade Movement	Dual-action	Weight (pole hedge trimmer + Battery)	8 lbs (3.7 kg)
Multi-Angle Head.....	-90°, -60°, -30°, 0°, 30°, 60°		
Blade Material	Rust-resistant steel blades		

*Initial no-load voltage, when fully charged, peaks at 21 volts; nominal voltage under typical load is 18 – 19 volts.

Unpacking

Carton Contents

- Cordless hedge trimmer head
- Rear handle with telescoping pole
- Blade cover
- Shoulder strap
- 20 V 2.0 Ah EcoSharp® LITE battery
- EcoSharp® battery charger
- Manuals with registration card

1. Carefully remove the cordless pole hedge trimmer and check to see that all of the above items are supplied.
2. Inspect the product carefully to make sure no breakage or damage occurred during shipping. If you find damaged or missing parts, DO NOT return the unit to the store. Please call the Snow Joe® + Sun Joe® customer service center at 1-866-SNOWJOE (1-866-766-9563).

NOTE: Do not discard the shipping carton and packaging material until you are ready to use the cordless pole hedge trimmer. The packaging is made of recyclable materials. Properly dispose of these materials in accordance with local regulations or save the packaging for long-term product storage.

IMPORTANT! The equipment and packaging material are not toys. Do not let children play with plastic bags, foils, or small parts. These items can be swallowed and pose a suffocation risk!

Assembly

⚠️ WARNING! The pole hedge trimmer must be fully assembled before operation! Do not use a pole hedge trimmer that is only partly assembled or assembled with damaged parts!

Follow the assembly instructions step-by-step and use the figures provided as a visual guide to easily assemble the pole hedge trimmer.

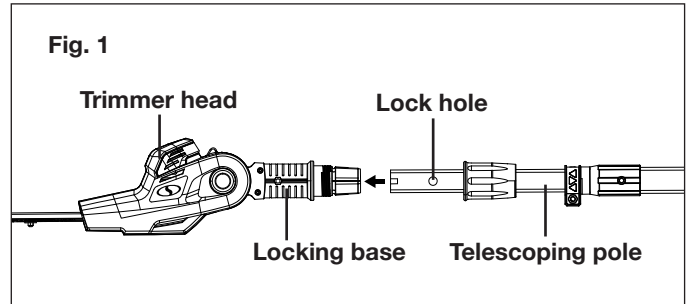
Do not connect the pole hedge trimmer to the power supply before it is completely assembled.

NOTE: Take care of small parts that are removed during assembly or when making adjustments. Keep them secure to avoid loss.

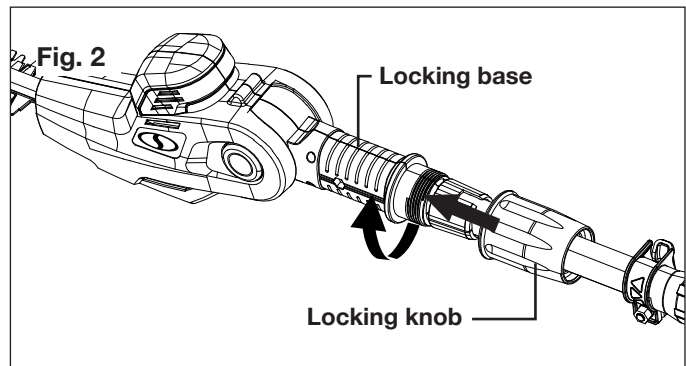
Assembling the Tool

The telescoping pole and trimmer head come unassembled. Ensure that the pole hedge trimmer is assembled properly before using.

1. Align the telescoping pole with the trimmer head.
2. Insert the telescoping pole into the trimmer head locking base until the lock holes click into place (Fig. 1).



3. Slide the locking knob onto the locking base and turn clockwise to secure (Fig. 2).

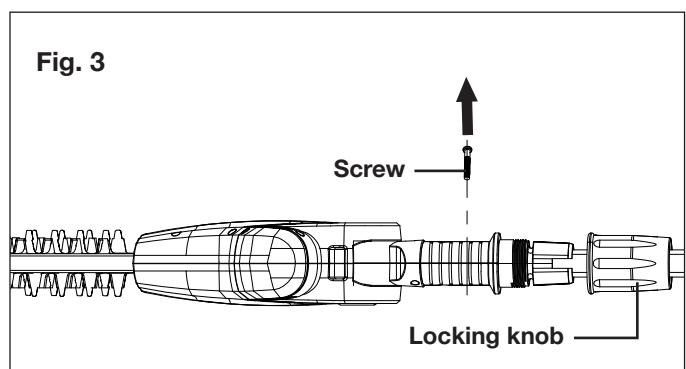


4. Make sure the rear handle is properly aligned with the blade.

⚠️ WARNING! Make sure the telescoping pole is inserted to a full stop and the locking knob is properly tightened before using the pole hedge trimmer.

⚠️ WARNING! Failure to lock the telescoping pole as directed above could result in serious injury or death.

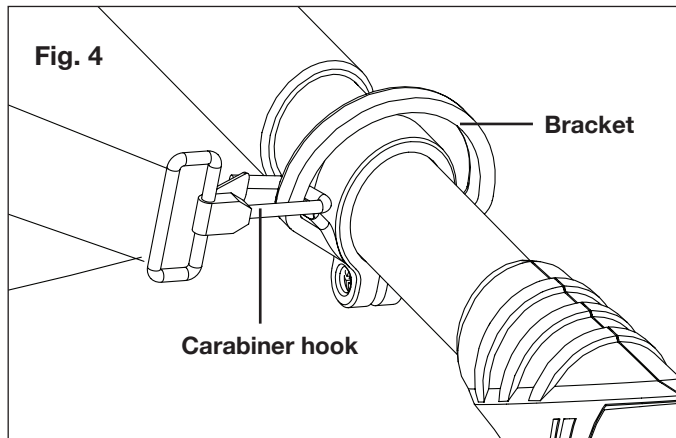
NOTE: To disassemble the unit, screw the locking knob counterclockwise to unlock the trimmer head, and remove the screw on the lock base with a screwdriver. Then the trimmer head can be pulled out from the pole (Fig. 3).



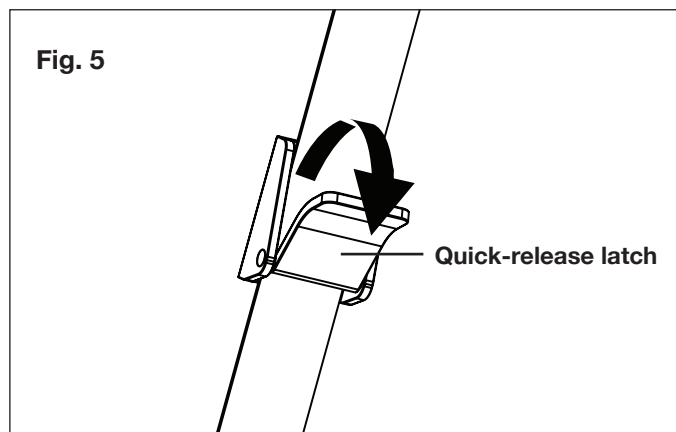
Attaching the Shoulder Strap

⚠️ WARNING! Always attach the shoulder strap to the pole hedge trimmer. Use the shoulder strap to help support the trimmer while in use; do not carry the pole hedge trimmer with only your hands.

1. Wear the shoulder strap over the left shoulder so that the hook stays at your right hand side.
2. Fasten the carabiner hook to the bracket on the pole (Fig. 4).
3. Adjust the length of the strap to attain a comfortable working position.



⚠️ WARNING! In case of emergency, tug the quick-release latch on the shoulder strap. The machine will be released from the strap (Fig. 5).



Battery Pack Operation

The equipment is powered by a lithium-ion battery. The battery pack is completely sealed and maintenance free.

Battery Charge Level Indicator

The battery pack is equipped with a push button for checking the charge level. Simply press the push button to read off the battery charge level from the LEDs of the battery indicator:

- All 4 level monitoring LEDs are lit: Battery charge level is maximum.
- 3 level monitoring LEDs are lit: Battery charge level is high.
- 2 level monitoring LEDs are lit: Battery charge level is decreasing. Stop work as soon as possible.
- 1 level monitoring LED is lit: Battery is flat. Stop work IMMEDIATELY and charge the battery. Otherwise the battery's service life will be greatly shortened.

Lights	Light Indicators
	Charge level button
	The battery is at 25% capacity and requires charging
	The battery is at 50% capacity and requires charging soon
	The battery is at 75% capacity
	The battery is at full capacity

NOTE: If the charge level button does not appear to be working, place the battery pack on the charger and charge as needed.

Immediately after using the battery pack, the charge level button may display a lower charge than it will if checked a few minutes later. The battery cells "recover" some of their charge after resting.

Charger Operation

⚠️ WARNING! Charge only EcoSharp® LITE iBAT20-LTE lithium-ion battery packs in compatible EcoSharp® iCHRG20 lithium-ion battery chargers. Other types of batteries may cause personal injury and damage.

To reduce the risk of electric shock, do not allow water to flow into the charger.

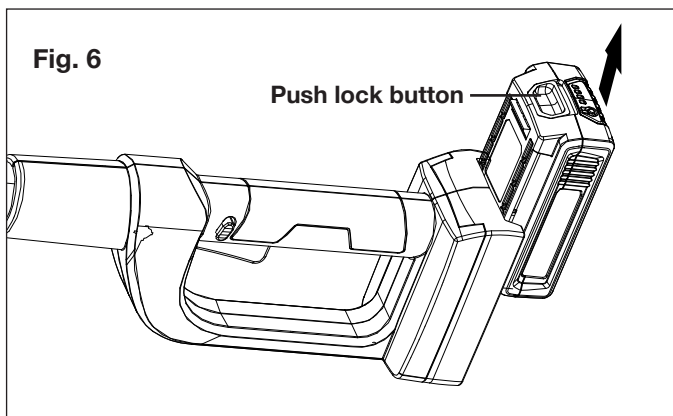
When to Charge the EcoSharp® LITE iBAT20-LTE Lithium-Ion Battery

NOTE: The EcoSharp® LITE iBAT20-LTE lithium-ion battery packs do not develop a "memory" when charged after only a partial discharge. Therefore, it is not necessary to run down the battery pack before placing it into the charger.

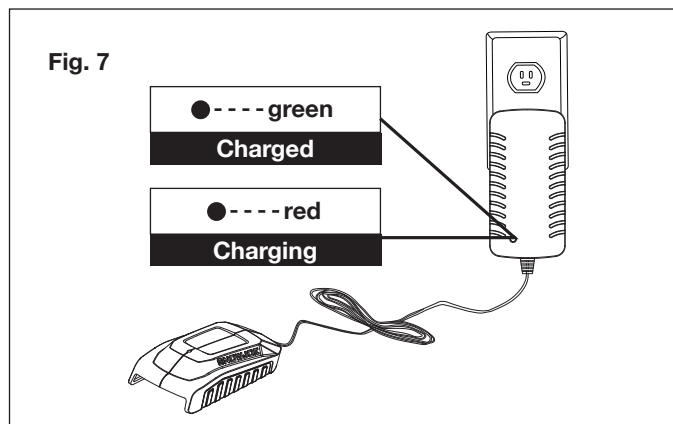
- Use the battery charge indicator lights to determine when to charge your EcoSharp® LITE iBAT20-LTE lithium-ion battery pack.
- You can "top-off" your battery pack's charge before starting a big job or after a long day of use.

Charging the Battery

1. Pull the push lock button on the battery to pull the battery pack out of the equipment (Fig. 6).

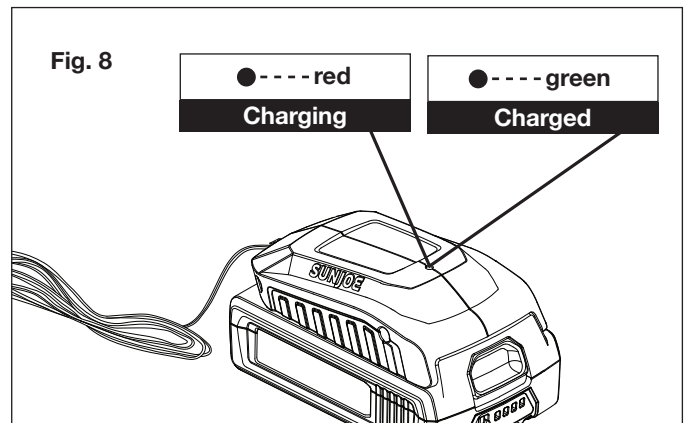


2. Check that the mains voltage is the same as that marked on the rating plate of the battery charger. Then, insert the charger's plug into the electrical wall outlet. When you plug in the charger, the light on the charging plug will illuminate red. When fully charged, the light will illuminate green (Fig. 7).



3. Place the battery pack into the charger by sliding the pack as shown to lock it into position. When you insert the battery into the charger, the light on the charging base will illuminate red to indicate that the battery is charging (Fig. 8).

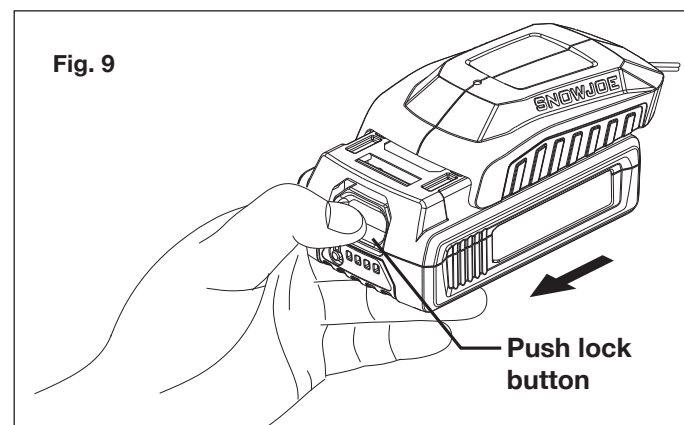
4. When the charger base light turns green, the battery is fully charged (Fig. 8).



NOTE: If the charger plug light remains green while the charger base light alternately flashes red and green, this indicates a temperature abnormality (i.e. that the battery pack is either too hot or too cold).

Plug light	● - - Green	Base light	☼ - - Flashing red/green
Temperature abnormal			

5. A fully discharged pack with an internal temperature in the normal range will fully charge in 70 mins (between 32°F/0°C and 113°F/45°C). Heavily cycled battery packs may take longer to charge completely.
6. If the light indicators does not come on at all, check that the battery pack is fully seated into the bay. Remove the pack and reinsert. If the problem persists, contact an authorized Snow Joe® + Sun Joe® dealer or call the Snow Joe® + Sun Joe® customer service center at 1-866-SNOWJOE (1-866-766-9563) for assistance.
7. When charging is complete, remove the battery from the charger by pulling the push lock button and sliding the battery backward to unlock it from the charger (Fig. 9).



8. Timely recharging of the battery will help prolong the battery's life. You must recharge the battery pack when you notice a drop in the equipment's power.

IMPORTANT! Never allow the battery pack to become fully discharged as this will cause irreversible damage to the battery.

Charging a Hot or Cold Battery Pack

A red and green flashing indicator light on the charger base indicates that the battery pack temperature is outside the charging range. Once the pack is within the acceptable range, normal charging will take place and the red light will be continuous. Hot or cold battery packs may take longer to charge.

Lithium-Ion Charging Status		
Battery Pack Temperature	Charger Base Indicator Light	Charging Status
Too hot	Flashing	Not charging
Normal range	Red	Normal charging
Too cold	Flashing	Not charging

Operation

⚠️ WARNING! Always wear safety goggles or safety glasses with side shields when operating power tools. Failure to do so could result in objects being thrown into your eyes, resulting in possible serious injury.

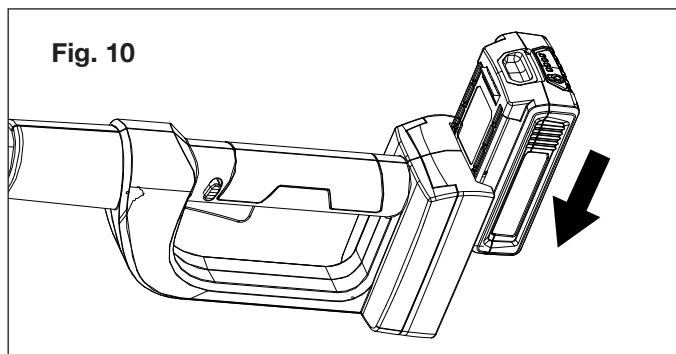
⚠️ WARNING! Do not use any attachments or accessories not recommended by the manufacturer of this product. The use of attachments or accessories not recommended can result in serious personal injury.

Starting + Stopping

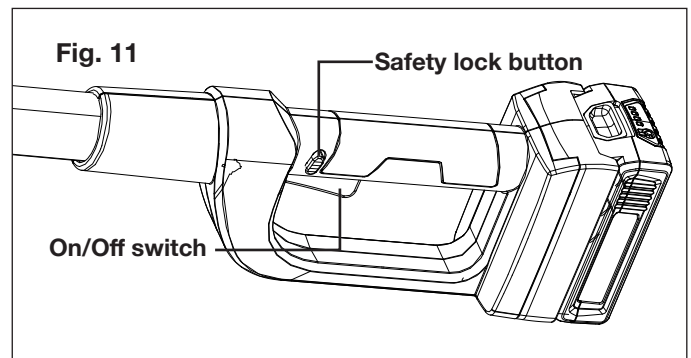
⚠️ WARNING! Ensure the blade does not touch any objects before turning on the pole hedge trimmer.

⚠️ CAUTION! Starting, stopping, and restarting an DC motor repeatedly within a few seconds can generate a great deal of heat and damage the motor. To protect the life of your cordless pole hedge trimmer, always wait at least five seconds after stopping before restarting the pole hedge trimmer.

1. Insert the battery in the battery compartment (Fig. 10).



2. To turn the tool ON, push and hold the safety lock button (located on the rear handle) with your thumb and then squeeze the On/Off switch with your fingers. Once the tool is running, you can release the safety lock button (Fig. 11).

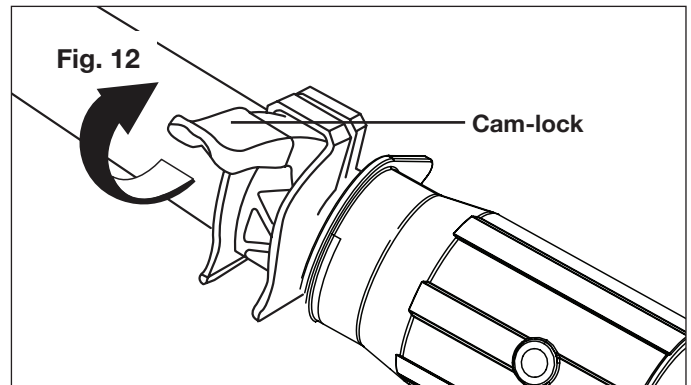


3. To turn the tool OFF, release the On/Off switch (Fig. 6).

NOTE: Do not press the On/Off switch until you are ready to make a cut.

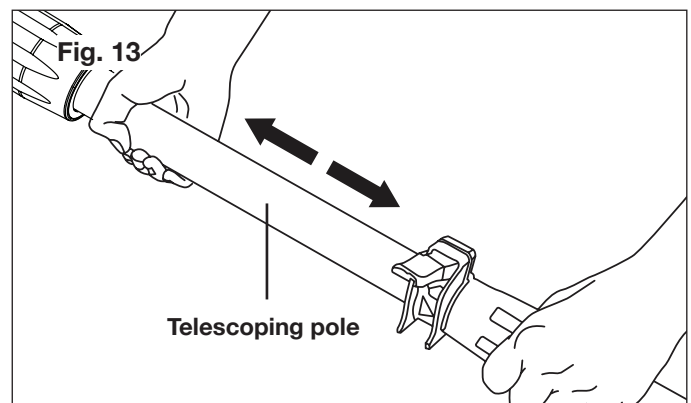
Adjusting the Telescoping Pole

1. Turn off the pole hedge trimmer and remove the battery.
2. Unclip the cam-lock to release the pole (Fig. 12).

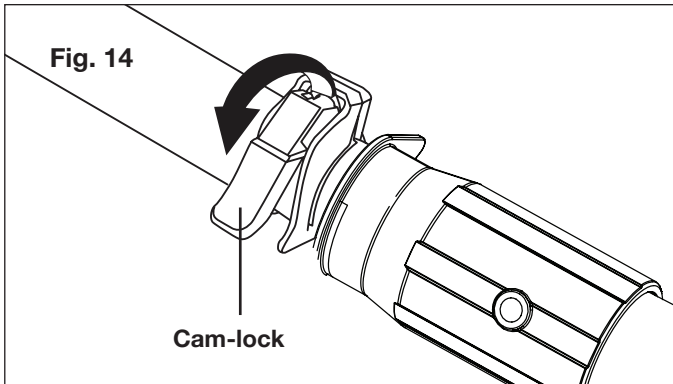


3. Extend the pole to the desired length (Fig. 13).

NOTE: Push poles toward each other to shorten the pole or pull them away from each other to lengthen the pole. Only extend the pole to the minimum length required to reach the hedges to be trimmed.



4. Lock the pole in position by closing the cam-lock (Fig. 14), and ensure that the pole is secure. If the pole telescopes when the cam-lock is closed, the nut may need tightening.



⚠️ WARNING! Extend the telescoping pole only to the length required to reach the hedges being trimmed. Adjust your hand placement on the telescoping pole of the pole hedge trimmer in order to keep proper balance.

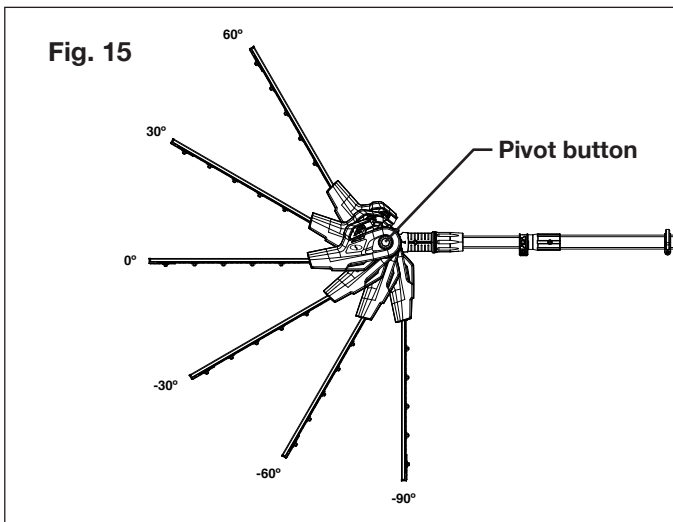
Do not attempt to use the pole hedge trimmer at a length which does not allow you to achieve proper footing and balance at all times!

⚠️ WARNING! Failure to lock the telescopic pole cam-lock as directed could result in personal injury.

Adjusting Pivoting Head

The pole hedge trimmer head can be rotated into 6 different cutting angles.

1. Turn off the pole hedge trimmer and remove the battery.
2. Place the pole hedge trimmer on a sturdy flat surface.
3. Press the pivot button and adjust the trimmer head to the desired angle (Fig. 15).



4. Ensure the trimmer head is locked in position when the button is released.

NOTE: Failure to properly secure the trimmer head may result in personal injury and/or property damage.

⚠️ WARNING! The trimmer head can be adjusted in six different positions. Always ensure the head is securely locked! Do not attempt to use the pole hedge trimmer with the head in any other position or unlocked!

⚠️ CAUTION! Do not place your hand between pivoting head and locking base. Failure to heed this caution could result in a pinch point injury.

General Operation

1. Check the tool, battery as well as accessories for damage before each use. Do not use the tool if it is damaged or shows wear.
2. Double check that the accessories and attachments are properly fixed.
3. Always hold the tool on its handles. Keep the handles dry to ensure safe support.
4. Ensure that the air vents are always unobstructed and clear. Clean them if necessary with a soft brush. Blocked air vents may lead to overheating and damage the tool.
5. Switch the tool off immediately if you are disturbed while working by other people entering the working area. Always let the tool come to a complete stop before putting it down.
6. Do not overwork yourself. Take regular breaks to ensure you can concentrate on the work and have full control over the tool.

Trimming Times

Green leaf hedges	June to October
Evergreens	April to August
Conifers and other fast growing shrubs	Every 6 – 8 weeks

Cutting Tips

⚠️ WARNING! Always hold the pole hedge trimmer with both hands. Never hold shrubs with one hand and operate pole hedge trimmer with the other. Failure to heed this warning can result in serious injury.

⚠️ WARNING! Clear the area to be cut before each use. Remove all objects such as cords, lights, wire, or loose string which can become entangled in the cutting blade and create a risk of serious personal injury.

- Do not force the pole hedge trimmer through heavy shrubbery. This can cause the blades to bind and slow down. If the blades slow down, reduce the pace.
- Do not attempt to cut stems or twigs that are larger than 0.6 in. thick, or those obviously too large to feed into the

cutting blade. Use a non-powered hand saw or pruning saw to trim large stems.

- If blades do become jammed, stop the motor, allow the blades to stop, and remove the battery before attempting to remove the obstruction.
- If desired, you can use a string to help cut your hedge level. Decide how high you want the hedge. Stretch a piece of string along the hedge at the desired height. Trim the hedge just above the guide line of string. Trim the side of a hedge so that it will be slightly narrower at the top. More of the hedge will be exposed when shaped this way, and it will be more uniform.
- Wear gloves when trimming thorny or prickly growth. When trimming new growth, use a wide sweeping action, so that the stems are fed directly into the cutting blade. Older growth will have thicker stems and will be trimmed easiest by using a sawing movement.

Using the Pole Hedge Trimmer

- Hold unit firmly with both hands. Always keep your left hand on the telescoping pole and your right hand on the rear handle. The unit is used for cutting in either direction in a slow, sweeping action from side to side.
 - Stand so that you are stable and balanced on both feet.
 - Inspect and clear the area of any hidden objects.
 - To protect yourself from electrocution, do not operate within 33 feet (10 m) of overhead electrical lines.
 - Never use the pole hedge trimmer near power lines, fencing, posts, buildings, or other immovable objects.
 - Never use a blade after hitting a hard object without first inspecting it for damage. Do not use if any damage is detected.
1. To use the pole hedge trimmer for trimming tall, hard-to-reach hedges or shrubs, hold the trimmer at the position shown below (Fig. 16). Pivot the power head to several different positions to shape or sculpt shrubs or hedges.



Fig. 16

2. To use pole hedge trimmer for trimming the bottoms and sides of hedges and shrubs, hold the pole trimmer at the position shown below (Fig. 17).

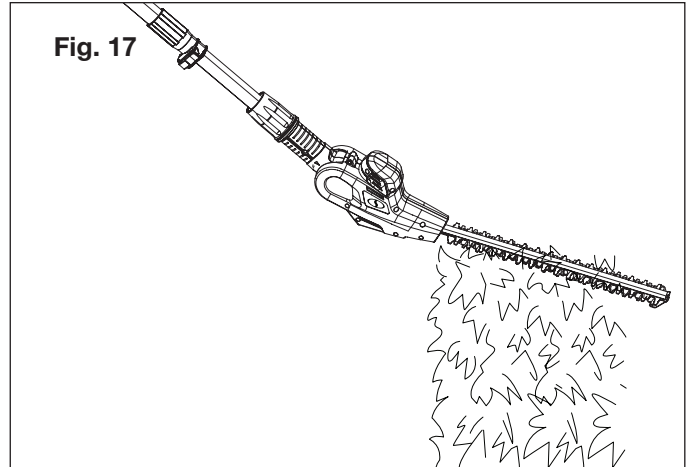


Fig. 17

3. To use pole hedge trimmer for trimming low-lying foliage or ground cover, hold the pole hedge trimmer at the position as shown below (Fig. 18).

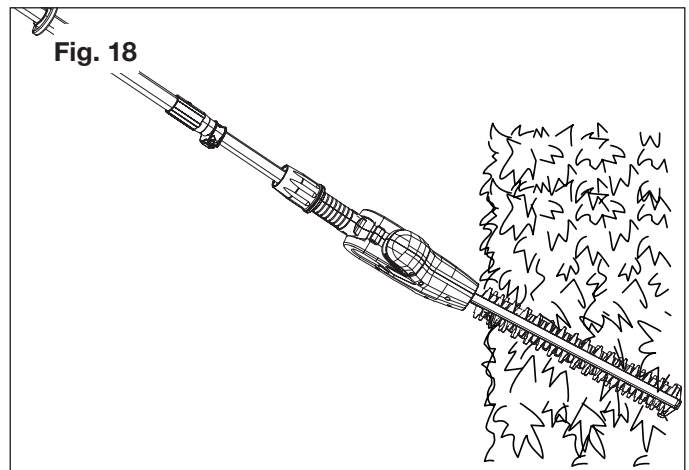


Fig. 18

⚠ CAUTION! Do not use the pole hedge trimmer for cutting stems greater than 0.6" (1.6 cm) (or approximately 2/3 in. thick).

Use the pole hedge trimmer only for cutting normal shrubbery found around houses and buildings.

Do not force the pole hedge trimmer through dense growth. A slight back and forth sawing action may ease the cutting of larger, more dense growth. If the pole hedge trimmer begins to slow down, reduce the rate of speed at which you are trying to cut. If the pole hedge trimmer becomes jammed, immediately turn the trimmer off. Remove the battery and clear the jammed debris from the cutter blades.

Care + Maintenance

⚠ WARNING! Before inspecting, cleaning, or servicing the machine, remove the battery and wait for all moving parts to stop. Failure to follow these instructions can result in serious personal injury or property damage.

⚠️ WARNING! When servicing, use only identical replacement parts. Use of any other parts may create a hazard or cause product damage.

- Avoid using solvents when cleaning plastic parts. Most plastics are susceptible to damage from various types of commercial solvents and may be damaged by their use. Use clean cloths to remove dirt, dust, oil, grease, etc.

⚠️ WARNING! Do not at any time let brake fluids, gasoline, petroleum-based products, penetrating oils, etc., come in contact with plastic parts. Chemicals can damage, weaken, or destroy plastic which may result in serious personal injury.

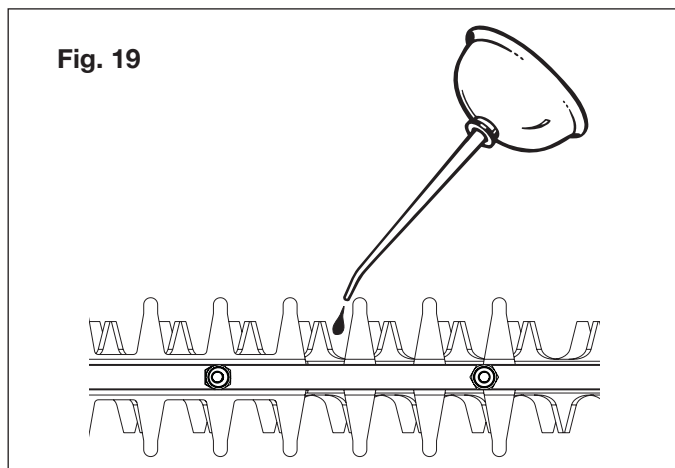
⚠️ WARNING! Blades are sharp. When handling the blade assembly, wear non-slip, heavy-duty protective gloves. Do not place your hand or fingers between blades or in any position where they could get pinched or cut. NEVER touch the blades or service the unit with the battery inside the unit.

- Store the pole hedge trimmer in the blade cover provided. Store it in a dry location out of the reach of children.
- When servicing, use only identical replacement parts. Use of any other parts can create a hazard or cause product damage. Please contact an authorized Snow Joe® + Sun Joe® dealer or call the Snow Joe® + Sun Joe® customer service center at 1-866-SNOWJOE (1-866-766-9563) for all replacement parts and accessories for your product.

Lubricate the Blades

For easier operation and longer blade life, lubricate the pole hedge trimmer blade before and after each use.

1. Stop the motor and remove the battery.
2. Lay the pole hedge trimmer on a flat surface. Apply lightweight machine oil along the edge of the top blade (Fig. 19).



If you will be using the pole hedge trimmer for an extended period, it is advisable to stop work intermittently in order to re-oil the blade.

NOTE: Do not oil while the pole hedge trimmer is running.

1. Stop the motor and remove the battery.
2. Lubricate the pole hedge trimmer as described above.
3. Insert the battery and resume use.

Cleaning the Pole Hedge Trimmer

1. Stop the motor and remove the battery.
2. Clean dirt and debris from the body of the pole hedge trimmer, using a damp cloth with a mild detergent.

NOTE: Do not use any strong detergents on the plastic housing or the handle, as they can be damaged by certain aromatic oils such as pine and lemon, and by solvents such as kerosene.

Recycling + Disposal

The product comes in a package that protects it against damage during shipping. Keep the package until you are sure that all parts have been delivered and the product is functioning properly. Recycle the package afterwards.



WEEE symbol. Waste electrical product should not be disposed of with household waste. Please recycle where facilities exist. Check with your local authority or local store for recycling advice.

Battery Caution + Disposal

Always dispose of your battery pack according to federal, state, and local regulations. Contact a recycling agency in your area for recycling locations.

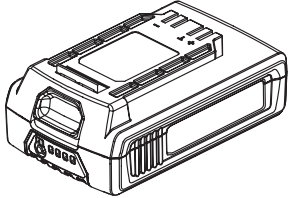
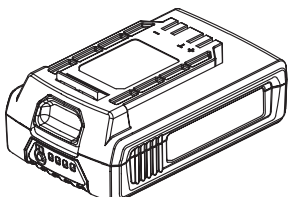
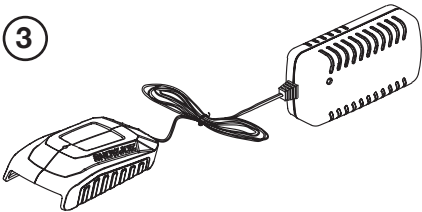
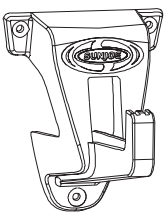
⚠️ CAUTION! Even discharged battery packs contain some energy. Before disposing, use electrical tape to cover the terminals to prevent the battery pack from shorting, which could cause a fire or explosion.

⚠️ WARNING! To reduce the risk of injury or explosion, never burn or incinerate a battery pack even if it is damaged, dead, or completely discharged. When burned, toxic fumes and materials are emitted into the surrounding atmosphere.

1. Batteries vary according to device. Consult your manual for specific information.
2. Install only new batteries of the same type in your product (where applicable).
3. Failure to insert batteries in the correct polarity, as indicated in the battery compartment or manual, may shorten the life of the batteries or cause batteries to leak.
4. Do not mix old and new batteries.
5. Do not mix Alkaline, Standard (Carbon-Zinc), or Rechargeable (Nickel Cadmium, Nickel Metal Hydride, or Lithium-Ion) batteries.

Optional Accessories

⚠️ WARNING! ALWAYS use only authorized Snow Joe® + Sun Joe® replacement parts and accessories. NEVER use replacement parts or accessories that are not intended for use with this pole hedge trimmer. Contact Snow Joe® + Sun Joe® if you are unsure whether it is safe to use a particular replacement part or accessory with your pole hedge trimmer. The use of any other attachment or accessory can be dangerous and could cause injury or mechanical damage.

Accessories	Item	Model
	Ecosharp® LITE 20 V 2.0 Ah Lithium-iON Battery Charging Time: 70 min (for full charge) Battery Run Time (Max): 45 min	iBAT20-LTE
	Ecosharp® LITE 20 V 2.5 Ah Lithium-iON Battery Charging Time: 90 min (for full charge) Battery Run Time (Max): 55 min	iBAT20-LT
	EcoSharp® 20 V Lithium-iON battery charger	iCHR20
	Universal wall bracket with mounting hardware	SJWB (Fits most Snow Joe® + Sun Joe® tools, including blower vac models SBJ601E+ SBJ603E + SBJ605E)

NOTE: Accessories are subject to change without any obligation on the part of Snow Joe® + Sun Joe® to provide notice of such changes. Accessories can be ordered online at sunjoe.com or via phone by contacting the Snow Joe® + Sun Joe® customer service center at 1-866-SNOWJOE (1-866-766-9563).



SNOW JOE® + SUN JOE® REFURBISHED GOODS WARRANTY

GENERAL CONDITIONS:

Snow Joe® + Sun Joe® operating under Snow Joe®, LLC warrants this refurbished product to the original purchaser for 90 days against defects in material or workmanship when used for normal residential purposes. If a replacement part or product is needed, it will be sent free of charge to the original purchaser except as noted below.

The duration of this warranty applies only if the product is put to personal use around the household. It is the owner's responsibility to correctly perform all maintenance and minor adjustments explained in the owner's manual.

HOW TO OBTAIN YOUR REPLACEMENT PART OR PRODUCT:

To obtain a replacement part or product, please visit snowjoe.com/help or email us at help@snowjoe.com for instructions. Please be sure to register your unit beforehand to speed up this process. Certain products may require a serial number, typically found on the decal affixed to the housing or guard of your product. All products require a valid proof of purchase.

EXCLUSIONS:

- Wearing parts like belts, augers, chains and tines are not covered under this warranty. Wearing parts can be purchased at snowjoe.com or by calling 1-866-SNOWJOE (1-866-766-9563).
- Batteries are covered in full for 90-days from the date of purchase.

Snow Joe® + Sun Joe® may from time to time change the design of its products. Nothing contained in this warranty shall be construed as obligating Snow Joe® + Sun Joe® to incorporate such design changes into previously manufactured products, nor shall such changes be construed as an admission that previous designs were defective.

This warranty is intended to cover product defects only. Snow Joe®, LLC is not liable for indirect, incidental or consequential damages in connection with the use or misuse of the Snow Joe® + Sun Joe® products covered by this warranty. This warranty does not cover any cost or expense incurred by the purchaser in providing substitute equipment or service during reasonable periods of malfunction or non-use of this product while waiting for a replacement part or unit under this warranty. Some states do not allow exclusions of incidental or consequential damages so the above exclusions may not apply in all states. This warranty may give you specific legal rights in your state.

HOW TO REACH US:

We're here to help Monday through Friday from 9AM to 7PM EST and Saturday and Sunday 9AM to 4PM. You can reach us at 1-866-SNOWJOE (1 866-766-9563), online at snowjoe.com, via email at help@snowjoe.com or tweet us @snowjoe.

EXPORTS:

Customers who have purchased Snow Joe® + Sun Joe® products exported from the United States and Canada should contact their Snow Joe® + Sun Joe® distributor (dealer) to obtain information applicable to your country, province or state. If for any reason, you are not satisfied with the distributor's service, or if you have difficulty obtaining warranty information, contact your Snow Joe® + Sun Joe® seller. If in the event your efforts are unsatisfactory, please reach out to us directly.



sunjoe.com